



Twin City Fan International
 Lodge Park, Langham, Colchester,
 Essex CO4 5NE
 Tel. +44 (0) 1206 233755

Project Name: - Date: -
 Quotation number: - Created By: -
 Contact: - Telephone: -
 Company: -
 Address: - Email: -

-

| Tag | Type | Size | CL | Arr | Qty | Gross Price Each | Gross Price Total |
|-----|-------|--------------|----|-----|-----|------------------|-------------------|
| | BSATD | 900-1M4 ^ | 0 | | 1 | inquire | inquire |
| | | | | | | Total | inquire |

-

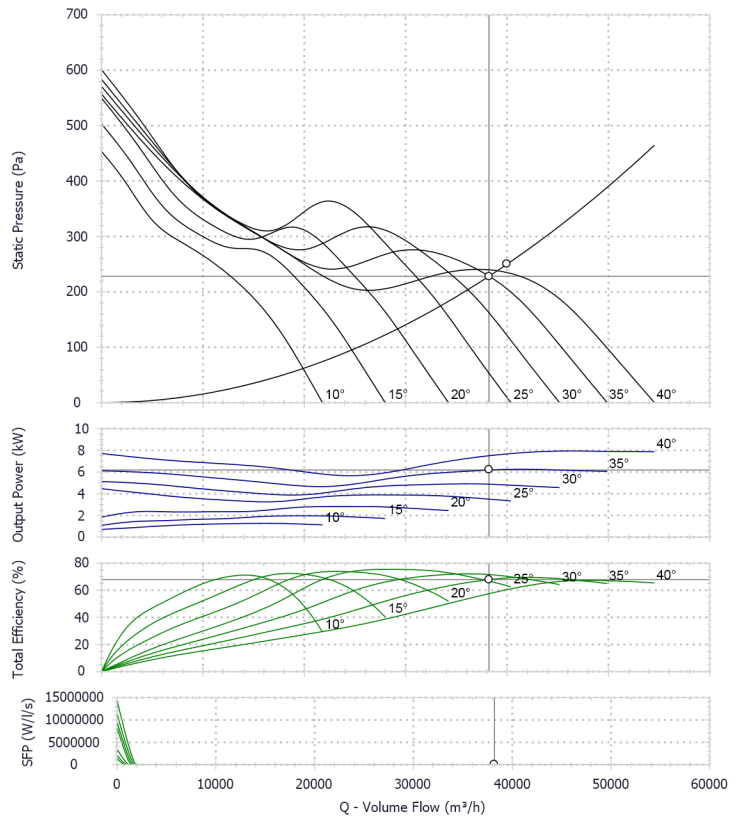
Fan Selection -

| | |
|-----------------------|--------------------------|
| Requested Air Volume | 40,000 m ³ /h |
| Requested Pressure | 250 Pa |
| Air Volume | 38,213 m ³ /h |
| Static Pressure | 228 Pa |
| Total Pressure | 395 Pa |
| Velocity Pressure | 167 Pa |
| Outlet Velocity | 16.69 m/s |
| Fan Total Efficiency | 67.8 % |
| Fan Static Efficiency | 39.1 % |
| Fan Arrangement | |
| Air Temperature | 20 °C |
| Altitude | 0 m |
| Fan Absorbed Power | 6.19 kW |

Motor Selection

| | |
|-------------------|----------|
| Electrical Supply | 400/3/50 |
| Motor Speed | 1455 rpm |
| Frame Size | 132 |
| Motor Rating | 7.50 kW |

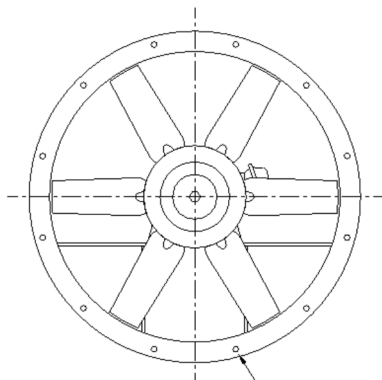
| η(%) | MC | EC | N | VSD | Manufacturer |
|----------------|------|-------------------|--------|-------|---------------|
| 69.39 | D | Total | FMEG62 | False | Twin City Fan |
| REF | kW | m ³ /h | Pa | RPM | |
| BSATD-900-1M4A | 6.29 | 41,273 | 380 | 1440 | |



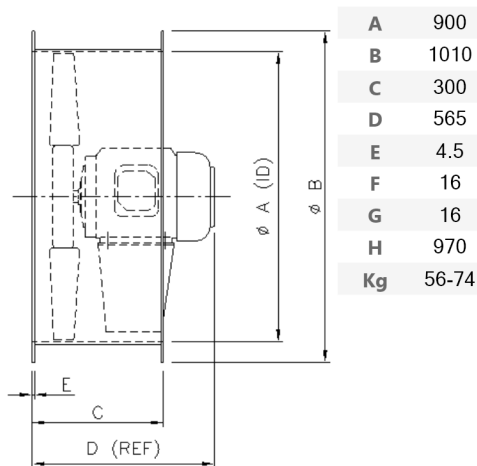
Sound Performance

| | 63 | 125 | 250 | 500 | 1k | 2k | 4k | 8k | Overall |
|----------|-----|-----|-----|-----|----|----|----|----|---------|
| Lw | 103 | 100 | 95 | 92 | 90 | 86 | 84 | 82 | 106 |
| LwA | 77 | 84 | 86 | 89 | 90 | 87 | 85 | 81 | 95 |
| LpA @ 3m | 56 | 63 | 66 | 68 | 69 | 67 | 64 | 60 | 75 |

Drawing and Dimensions



'F' NOS OF Ø'G' HOLES
EQUI-SPACED ON 'H' PCD
(BOTH FLANGES)





Date: -
Company: -
Contact: -
Project: -
Tag: -

Twin City Fan International
Lodge Park, Langham, Colchester,
Essex CO4 5NE
Tel. +44 (0) 1206 233755

Accessories Included

| | |
|---|-------------------------|
| BSATD 900-1M4A, Class 0, Arrangement Bare fan | inquire |
| 7.50 kW, 1455 RPM, 400V, 3Ph, 50Hz, TEFC | inquire |
| <hr/> | |
| Total Net Price Each | inquire |
| Total Net Price for 1 fan | inquire |